

1

2

3

4

5

6

A

B

C

D

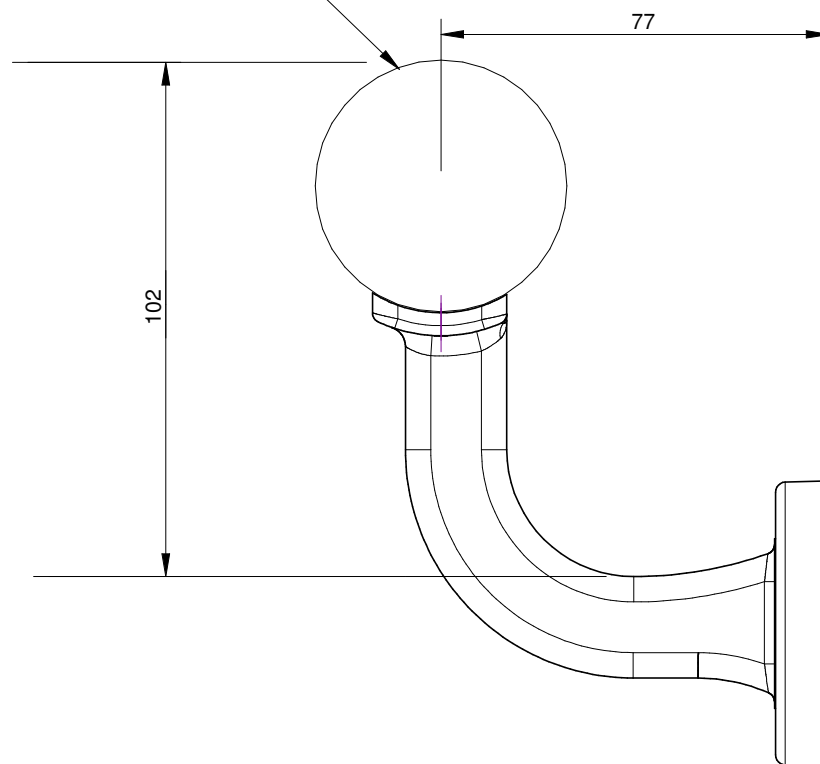
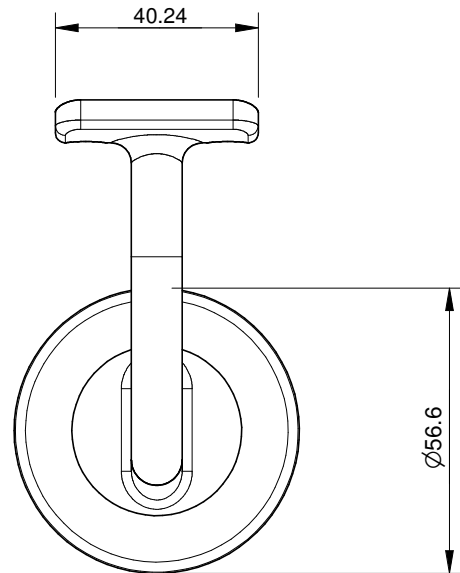
A

B

C

D

50mm Diam Rail Nominal



MILES NELSON

228 KITCHENER RD
MILFORD, AUCKLAND,
NEW ZEALAND.
PH: 64 9 489 7225
FAX: 64 9 489 5552

THIS DESIGN AND DRAWING IS THE COPYRIGHT
OF MILES NELSON MANUFACTURING CO LTD
AND IS NOT TO BE REPRODUCED WITHOUT
WRITTEN PERMISSION

TITLE

310 BANISTER BRACKET

**DO NOT SCALE
IF IN DOUBT ASK**

SCALE

DRAWN BY

DRAWING NO.

SHT__OF__

APPROVED BY

DATE